

**Models:**

- ▶ **CBS-2061e**
- ▶ **CBS-2062e**



**NOTICE TO INSTALLER:** Please leave this book with the machine.

## Table of Contents

Contact Information .....	2	Installation, Final Setup, Operator Training.....	5-7
Description & Features .....	2	Safety Notices.....	6
Specifications.....	2	Operating Instructions .....	8
Requirements .....	2	Programming- operator access programming.....	9
Weights and Capacities.....	2	Batch Settings.....	9
Measurements.....	2	Temperature Settings .....	10
Electrical Configuration and Brewing Efficiency .....	3	Advanced Settings and Diagnostics.....	10
Dimensions & Utility Connections.....	4	Error Codes .....	12
		Cleaning & Maintenance .....	14
		Parts .....	18

FETCO®, LUXUS®, EXTRACTOR®, INTERMITTENT BREW, Driven To Pioneer Innovation® and Driven To Innovation™ are trademarks or trade names of Food Equipment Technologies Company.

# Contact Information

**FETCO®**  
 Food Equipment Technologies Company  
 600 Rose Road  
 Lake Zurich • IL • 60047-0429 • USA

**Phone:** (800) 338-2699 (US & Canada)  
 (847) 719-3000  
**Fax:** (847) 719-3001

**Email:** sales@fetco.com  
 techsupport@fetco.com

**Internet:** www.fetco.com

## Description & Features

The CBS-2060e EXTRACTOR® Series coffee brewers feature our patented intermittent spray over technology and patented Cascading Spray Dome.

The following variables are programmed for each batch size:

- ❖ Brew volume
- ❖ Brew time
- ❖ Bypass percent (Percentage of the brew volume)
- ❖ Prewet percent (Percentage of the brew volume)
- ❖ Prewet delay (The time between prewetting and the brew cycle.)
- ❖ Drip delay (The time between the end of the brew cycle and the unlocking of the brew basket.)

Using these variables, the software calculates how much water to use for prewetting, bypass, and brewing. The total brew time is divided into several 30 second cycles. Within these cycles, the software calculates how long to spray water over the coffee grounds, and how long to pause before the next cycle begins. The bypass valve opens at the beginning of the brew cycle and dispenses the correct amount of water all at once.

### Features

- ❖ Three fully programmable batch sizes per side
- ❖ Adjustable prewetting cycle
- ❖ Adjustable bypass
- ❖ Fully addressable brew programming routine
- ❖ Brew temperature protection
- ❖ Brew basket safety locks
- ❖ Cascading Spray Dome for enhanced extraction.
- ❖ Electronically controlled hot water service

## Specifications

### Requirements

- ❖ **Water Requirements:**  
 CBS-2061e: 20-75 psig, (138-517kPa) 2 gpm (7.6 lpm)  
 CBS-2062e: 20-75 psig, (138-517kPa) 4 gpm (15.1 lpm)
- ❖ **Water inlet fitting** is a 3/8 inch male flare.
- ❖ **Brew Volume:**  
 Full Batch 3 gal. (11.4 lit.)  
 Half Batch 1.5 gal. (5.7 lit.)
- ❖ **Coffee Filter Size:**  
 20" X 8" – standard FETCO # F004  
 18" X 7½" - optional half batch FETCO # F005
- ❖ **Electrical:** See electrical configuration chart.
- ❖ **Temperature:**  
 200°F (93°C) inside water tank (at sea level)  
 195°F (91°C) ± 5° at sprayhead

### Weights and Capacities

Brewer Model	Weight (empty)	Water tank Capacity & Weight.		Weight (filled)	*Dispenser Weight, ea.	*Dispenser Filled, ea..	*Total Weight Brewer & Dispensers, Filled
CBS-2061e	91 lbs. (41.3kg)	8.7 gal. (33 l)	72 lbs. (32.7kg)	163 lbs. (74kg)	18 lbs. (8.2kg)	42.5 lbs (19.3kg)	205.5 lbs. (93.2kg)
CBS-2062e	137 lbs. (62.1)	16.3 gal. (62 l)	136 lbs. (62.1kg)	273 lbs. (123.8kg)	18 lbs. (8.2kg)	42.5 lbs (19.3kg)	356 lbs. (161.5kg) (2 dispensers)

\*Based on TPD-30 Series Dispensers

### Measurements

Brewer Model	Height	Width	Depth	Empty weight	Shipping weight
CBS-2061e	37 ¾ in. (96cm)	18½ in. (47cm)	22½ in. (57cm)	91 lbs. (41.3kg)	99 lbs. (45kg)
CBS-2062e	37 ¾ in. (96cm)	32½ in. (83cm)	22½ in. (57cm)	137 lbs. (62.1kg)	147 lbs. (66.7kg)

# Electrical Configuration and Brewing Efficiency

## US & Canada CBS-2061e

3.0 gallons/11.4 liter per batch

<b>Standard Electrical Configurations</b>							
Configuration Code	Heater Configuration	Voltage	Phase	Wires	KW	Max Amp Draw	Gallons [liters] /Hour (1)
E61016	2 X 3 kW	120/208-240	1	3 + G	4.6-6.1	22.1-25.5	11.2-14.9 [42-56]
E61026	2 X 4 kW	120/208-240	1	3 + G	6.1-8.1	29.3-33.8	14.9-19.8 [56-75]
E61036	3 X 3 kW	120/208-240	3	4 + G	6.9-9.1	19.5-22.4	16.8-22.2 [64-84]
E61046	3 X 4 kW	120/208-240	3	4 + G	9.1-12.1	25.8-28.9	22.2-29.5 [84-112]
E61146	3 X 4 kW	480	3	3 + G	12.1	14.9	29.5 [112]
*E61076	3 X 3 kW	230-400	3	4 + G	6.4	9.4	15.6 [59]
*E61086	3 X 4 kW	230-400	3	4 + G	8.4	12.4	20.5 [78]
*E61126	3 X 3 kW	240/415	3	3 + G	6.8	9.8	16.6 [63]
*E61136	3 X 4 kW	240/415	3	3 + G	9.0	12.9	22 [83]
*EXPORT ONLY (1) Based on standard factory settings: 4.5 minute brew time; 0% prewet, 0% bypass; 200 F water.							

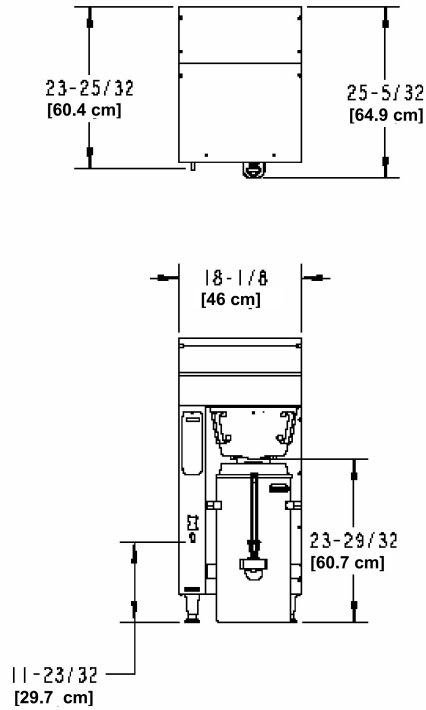
## CBS-2062e

3.0 gallons/11.4 liter per batch

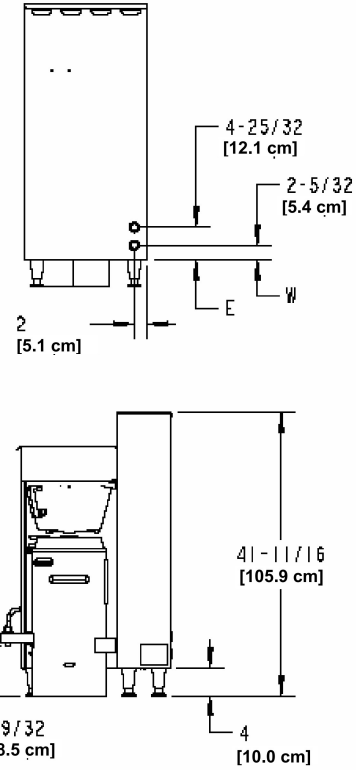
<b>Standard Electrical Configurations</b>							
Configuration Code	Heater Configuration	Voltage	Phase	Wires	KW	Max Amp Draw	Gallons [liters] /Hour (1)
E62016	3 X 3 kW	120/208-240	1	3 + G	6.9-9.1	33.3-38.5	16.8-22.2 [64-84]
E62026	3 X 4 kW	120/208-240	1	3 + G	9.1-12.1	44.1-50.8	22.2-29.5 [84-112]
E62036	3 X 3 kW	120/208-240	3	4 + G	6.9-9.1	19.5-22.4	16.8-22.2 [64-84]
E62046	3 X 4 kW	120/208-240	3	4 + G	9.1-12.1	25.7-29.6	22.2-29.5 [84-112]
E62056	6 X 3 kW	120/208-240	3	4 + G	13.6-18.1	38.3-44.1	33.2-44 [126- 167]
E62066	6 X 4 kW	120/208-240	3	4 + G	18.1-24.1	50.8-58.5	44- 59 [167- 223]
E62146	6 X 3 kW	480	3	3 + G	18.1	22.2	44 [167]
E62166	6 X 4 kW	480	3	3 + G	24.1	29.4	59 [223]
*E62106	6 X 3 kW	220/380	3	4 + G	12.6	18.6	28.3 [107]
*E62136	6 X 4 kW	220/380	3	4 + G	16.8	24.6	41 [155]
*E62176	6 X 3 kW	240/415	3	4 + G	13.6	19.2	33.2 [126]
*EXPORT ONLY (1) Based on standard factory settings: 4.5 minute brew time; 0% prewet, 0% bypass; 200 F water.							

# Dimensions & Utility Connections

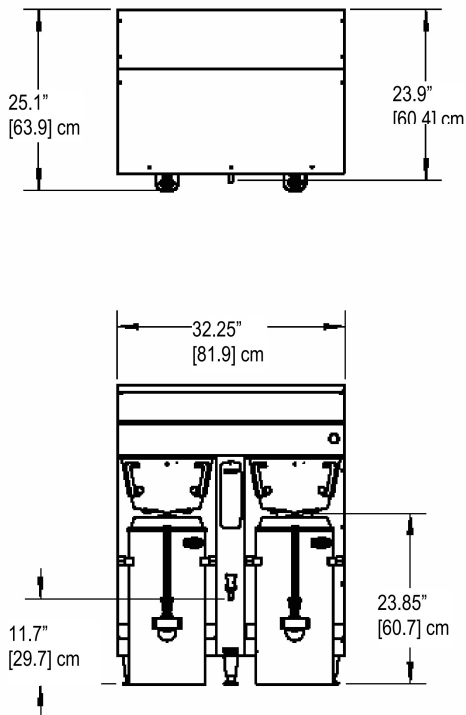
**CBS-2061e**



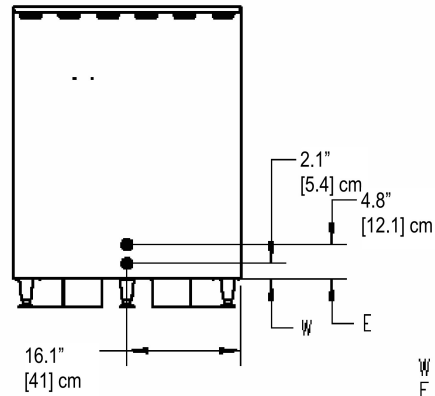
BACK VIEW



**CBS-2062e**



BACK VIEW



W - WATER  
E - ELECTRIC

DIMENSIONS IN PARENTHESES ARE METRIC

# Installation

(For Qualified Service Technicians Only)

## Keys To A Successful Installation

If not installed correctly by qualified personnel, the brewer may not operate properly and damage may result. Damages resulting from improper installation are not covered by the warranty.

Here are the key points to consider before installation:

### Electrical:

- ❖ All FETCO brewers require **NEUTRAL** unless equipped with an optional factory-installed step-down transformer. Ground is not an acceptable substitute for neutral. Installation without neutral may cause the brewer to malfunction.
- ❖ The installation must comply with applicable federal, state, and local codes having jurisdiction at your location. Check with your local inspectors to determine what codes will apply.

### Plumbing:

- ❖ This equipment is to be installed to comply with the applicable federal, state, or local plumbing codes.
- ❖ Flush the water line and water filter thoroughly prior to connecting it to the brewer to prevent debris from contaminating the machine.
- ❖ Verify that the water line will provide at least 2 gallons per minute/(7.6 lpm) at 20-75 psig/(138-517kPa) for the CBS-2061e, and 4 gallons per minute/(15.1 lpm) at 20-75 psig/(138-517kPa) for the CBS-2062e before connecting it to the brewer. Note that this is a high flow rate for beverage equipment.
- *This equipment goes to a fault state and will signal an error code if water flow is insufficient.*

### General:

- ❖ Utilize only qualified beverage equipment service technicians for installation. A Service Company Directory may be found on our web site, <http://www.fetco.com>.

## Installation Instructions

### Brewer Setup

1. Review the Dimensions for the unit you are installing. Verify that the brewer will fit in the space intended for it, and that the counter or table will support the total weight of the brewer and dispensers when filled.
2. The brewer's legs are shipped inside the brew baskets. Remove the brew basket(s) and the coffee dispenser(s). Place the brewer on its back and screw in the legs.
3. Place the brewer on the counter or stand.
4. When the brewer is in position, level it front to back as well as side to side by adjusting the legs.
5. Remove the lower cover to access the water and electrical connections. Knock-outs are provided in the back and base of the brewer body for the connections.



**Warning: Legs are to be adjusted for leveling the brewer only. Do not use for height adjustment or extend them higher than necessary.**

### Water Connection

1. Water inlet is a 3/8 inch male flare fitting.
2. The brewer can be connected to a cold or hot water line. Cold water is preferred for best coffee flavor, but hot water will allow for faster recovery times.
3. Install a water shut off valve near the brewer to facilitate service. If an in-line water filter is used, it should be installed after the water shut off valve and in a position to facilitate filter replacement.
4. Flush the water supply line and filter **before** connecting it to the brewer.
5. Verify that the water line will provide at least 2 gallons per minute/(7.6 lpm) for the CBS-2061e, and 4 gallons per minute/(15.1 lpm) for the CBS-2062e, and that the water pressure is between 20 and 75 psig/(138-517kPa).
6. Use a wrench on the factory fitting when connecting the incoming water line. This will reduce stress on the internal connections and reduce the possibility of leaks developing after the install has been completed.

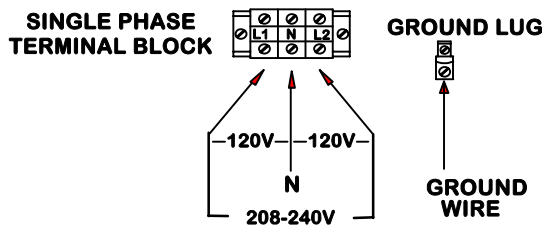
## Electrical Connection

1. Verify that the actual voltage at the electrical service connection is compatible with the specifications on the brewer's serial number label. Make sure the electrical service includes **neutral**.
2. The temperature and water tank fill level are pre-set at the factory. There is no need to turn off the heaters during the installation process. The heaters are disabled by the control board until the tank is full of water. The heating process will start automatically when the tank has filled.
3. A terminal block is provided for connecting the incoming power wires. Consult local codes to determine if a cord and plug can be installed, or if the unit must be hard wired.
4. A fused disconnect switch or circuit breaker on the incoming power line must be conveniently located near the brewer, and its location and markings known to the operators.
5. The body of the brewer must be grounded to a suitable building ground. A ground lug is provided in the brewer next to the power terminal block. Use only 10 gauge copper wire for grounding.
6. Electrical connections must be secured in-place within the unit to meet national and local standards.
7. Connect the incoming power wires to the terminal block in accordance with applicable codes.

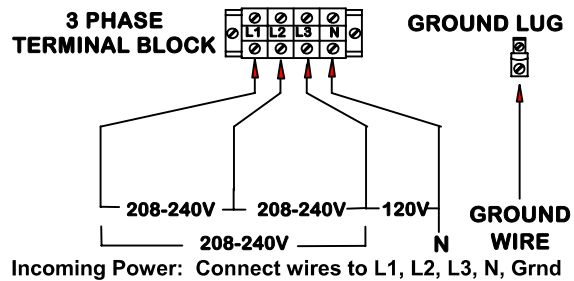


## Electrical Configurations – US & Canada

### CBS-2061e and CBS-2062e Single Phase



### CBS-2061e and CBS-2062e Three Phase



## Safety notes.

Professional installation is required. This appliance is manufactured for commercial use only. Operation requirements and maintenance for commercial cooking appliances differ from household appliances. Operators must be trained for this equipment and must understand the use, maintenance and kitchen hazards.

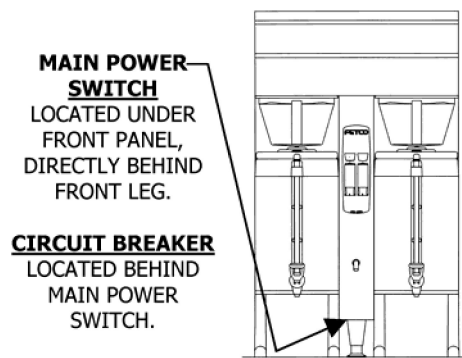
Do not attempt to move the CBS-2061e or CBS-2062e once it is filled. Drain equipment before moving.

The CBS-2060e coffee brewers prepare up to three gallons of coffee or tea in a single batch using very hot water. The factory set brew (default) time is 4.5 minutes with the brew basket locked for safety from start of brew. The brew basket unlocks and may be serviced 8.5 minutes after starting the brew. Never attempt to defeat or override the brew basket locking feature.

EXTRACTOR® coffee brewers include a hot water service tap for kitchen purposes. The hot water service tap is operated by the electronic touchpad and may be completely disabled by entering operator access programming. (see *PROGAMMING - beginning page 9*) Keep these instructions for training and future reference

### Final Setup

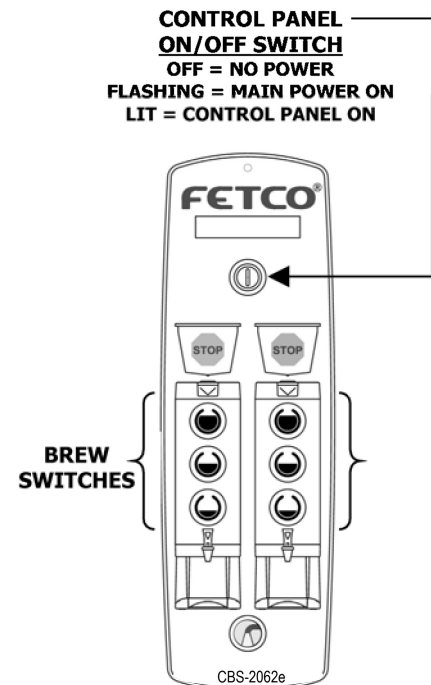
1. Turn on the incoming water supply line and inspect both inside and outside of the brewer for leaks in all fittings and tubes
2. Turn on the incoming power.
3. Press the brewer's main power switch, which is hidden behind the front leg of the brewer. The control panel on/off switch will begin flashing. Press this switch while it is flashing.
4. Within 6 seconds, the hot water tank will begin filling until the water is sensed by the probe at the top of the tank. The display will read "FIL". The heaters will be disabled by the control board until the tank is full.
5. While the water is heating, the display will read "LO" and the actual water temperature will be displayed. After the water has reached the set temperature, the display will be blank. There is no "ready" light.
6. Review the Operating Instructions. Brew one full batch (water only) on each side to confirm proper fill levels. The brewer is factory set with water only (no coffee) to dispense the correct amount of water. If the actual volume is slightly different from the programmed volume, fine tuning the brewer may be necessary. See #60 – 63 in the Advanced Settings & Diagnostics section.
7. Re-attach the covers after one final inspection for leaks. Look closely in the top of the brewer at the dispense fittings during this inspection.



### Operator Training

Review the operating procedures with whoever will be using the brewer. Pay particular attention to the following areas:

1. Always pre-heat the dispensers before the first use of each day by filling them half way with hot water, and letting them stand for at least 15 minutes.
2. Don't remove the brew basket until it has stopped dripping.
3. Make sure the dispenser is empty before brewing into it.
4. Show how to attach covers, close, and or secure the thermal dispensers for transporting.
5. Show the location and operation of the water shut off valve as well as the circuit breaker for the brewer.
6. Steam from the tank will form condensation in the vent tubes. This condensation will drip into and then out of the brew baskets. 1/4 cup discharging overnight is possible. Place an appropriate container under each brew basket when not in use.
7. We recommend leaving the power to the brewer on overnight. The water tank is well insulated and will use very little electricity to keep the tank hot. Leaving the brewer in the on position will also avoid delays at the beginning of shifts for the brewer to reach operating temperature.



# Operating Instructions

## Control Panel Functions

*Only switches that are active are illuminated.*

*Switches that are inactive or disabled are invisible.*

### 1 Main Power Switch

- Controls all power to brewer
- Indicator lamp at top of panel.

### 2 Control Panel On/Off Switch

- Secondary power switch. Does not disconnect main power.
- Flashing = Off
- Lit = On
- Invisible = Main Power Off

### 3 Display

- "FIL" = Water tank is filling.
- "LO XXX" = Unit is heating, not ready to brew. (XXX = actual temperature)
- "NO BAS" = Brew basket not in position.
- Blank = Ready to brew.
- Also displays error messages.

### 4 Stop Switches

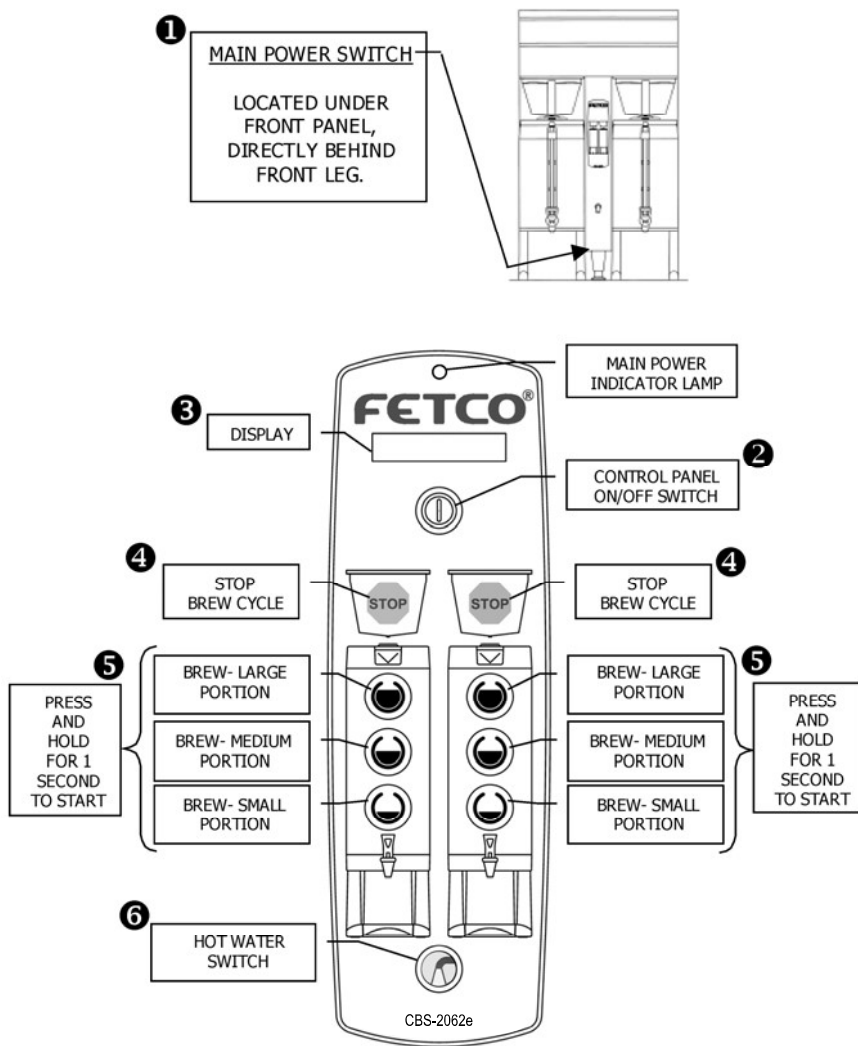
- Stops brew cycle
- Lit = Brew cycle in progress
- Invisible = Not brewing, or dripping in progress

### 5 Brew Switches

- Starts brew cycle
- Must be held in for 1 second
- Flashing = Brew cycle in progress
- Lit = Ready to brew
- Invisible – Not ready to brew, or batch disabled (See Programming Section)

### 6 Hot Water Switch

- Dispenses hot water from faucet
- Hold in to dispense



## Brewing

1. Turn the main power switch and control panel switch on.
2. Prepare a brew basket with the correct size filter and appropriate amount of coffee.
3. Slide the brew basket completely into the rails.
4. Place a clean, empty, preheated dispenser under the brew basket.
5. Select a batch from the available choices, and hold the corresponding BREW button in for 1 second to start the brew cycle.
6. The STOP button will illuminate, and the selected BREW button will flash, indicating that brewing is in progress. All other BREW buttons will extinguish.

7. When the brew cycle is finished, the STOP button will extinguish and the BREW button will continue flashing, indicating that coffee may still be dripping from the bottom of the brew basket.
8. Before removing the brew basket or dispenser, visually verify that dripping has stopped.

### Notes:

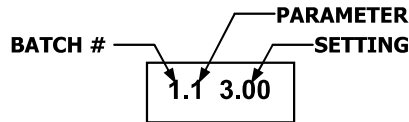
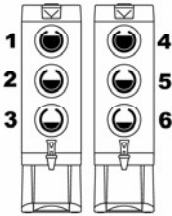
- Preheat dispenser by filling at least ½ full with water at brewing temperature. Allow it to sit for at least 15 minutes before draining.
- A sensor is provided to prevent the brewer from operating if the brew basket is not all the way in.
- A brew basket lock will prevent removal of the brew basket during brewing and dripping



# Programming- operator access programming

## Batch Settings

- ❖ Turn the brewer off by pressing the main power switch.
- ❖ Press the main power switch again to turn the unit on. The last 2 digits of the model number will display briefly, then **S t b**.
- ❖ Quickly hold the **STOP** button for 3 seconds.
- ❖ The display will show the software version. Example: **0.0 4.8**
- ❖ Press **STOP** to continue. Press **STOP** again to exit.
- ❖ Batches are numbered 1 – 3 (CBS-2061e) or 1 – 6 (CBS-2062e)



**Example:**  
Left Side – Large Batch – Volume 3.0 Gal.

- ❖ Next, the first batch parameter is displayed – batch 1, brew volume. Use the **SCROLL UP** and **SCROLL DOWN** buttons to adjust. Press the **STOP** button to go to the next parameter – brew time.
- ❖ Continue this way until all parameters are programmed for batch #1. (See the chart below for an explanation of each parameter.)
- ❖ Next, batch #2 programming begins. Batches 2, 3, 5, and 6 may be disabled by leaving them set to “OFF”. Change to “ON” to enable. Batches 1 and 4 cannot be disabled.
- ❖ After all batches are programmed, go to temperature settings.

**Display**

62

S t b

P r G

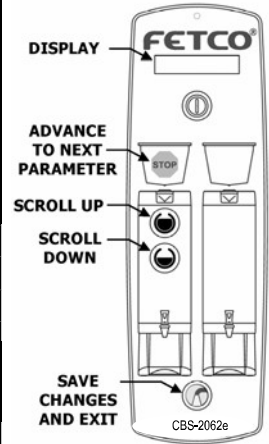
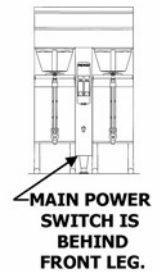
0.0 4.8

1.1 3.00

1.2 4.30

2.0 OFF

7 200



**Important!** After programming, you must press the **HOT WATER** button to save the settings and exit programming mode, or changes will be lost. You may exit programming at any time.  
!!! ► If you press the wrong button turn power switch “OFF” and begin programming again!!!


## Batch Parameters

X=Batch Number (1 - 6)

Parameter	Nene	Range	Increment	Default Setting	Comment
X.0	Batch Enabled/Disabled	On/Off	1-6	<b>Batch 1 &amp; 4 = ON</b> <b>Batch 2, 3, 5, 6 = OFF</b>	Batch 1 & 4 cannot be disabled.
X.1	Brew Volume (Gallons)	0.5 – 4.00	0.01	3 gal. (2061e/2062e)	To display liters, see # 59 in Advanced Settings section.
X.2	Brew Time (Min:Sec)	3:00 – 15:00	0:30	4:30 minutes:seconds	Add brew time to drip delay time and prewet for time of one batch.
X.3	Bypass Percent	0.00 – 40.0%	1%	0 %	Percentage of total brew volume
X.4	Prewet Percent	0.00 – 15.0%	1%	0 %	Percentage of total brew volume
X.5	Prewet Delay (Min:Sec)	0:10 – 5:00 Units: min/sec	0:10	1:00 minutes:seconds	The time between prewetting and start of brew cycle.
X.6	Drip Delay (Min:Sec)	1:00 – 8:00 Units: min/sec	0:10	4:00 minutes:seconds	The time between end of brew cycle and unlocking of brew basket.

Programming instruction table continued on the following page

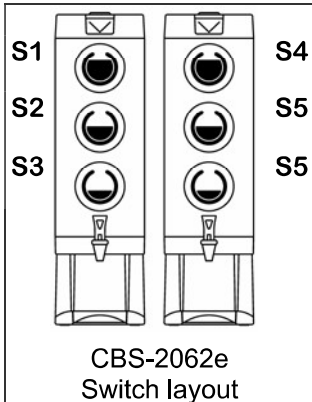
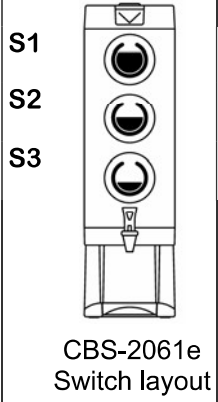

## Temperature Settings



Parameter	Name	Range	Default Setting	Comment
7	Water Temp. (°F)	180°F - 208°F	200°F	Inside tank. Will be slightly lower at spray head. To display in ° Celsius, see # 58 in Advanced Settings.
8	Hot Water Service	A (auto) On Off	A (auto)	A= Faucet will dispense only when not brewing. On=Faucet always enabled. Off=Faucet always disabled.
9	Brew at Set Temperature	0 - 1	1	0=Will brew at any temperature above 180°F. 1=Will brew only at set temperature. Note: Changes will not take effect until one full brew cycle is completed after the change is made.
10	Enter Advanced Settings and Diagnostics ↓	0 - 1	0	0 = Skip Advanced Settings & Diagnostics. Loop back to start of batch programming cycle. 1 = Enter Advanced Settings & Diagnostics. Press <b>STOP</b> to continue
Important! To save your changes, press  to exit programming mode and return to operating mode.				

## Advanced Settings and Diagnostics

Address	Description	Range	Default	Comment
50	Water Level in Tank	0 - 1		Tests if water is touching probe. 0 = Tank is less than full 1 = Tank is full
52	Brew Basket Sensor State (left / right)	0 - 1		To test, slide the brew basket in and out. Display should toggle between 0 and 1. 0 = Brew basket out. 1 = Brew Basket in.
55	Tank Temperature	180°F - 208°F	208°F	Displays current tank temperature.
56	Brewer Model Number	51 - 62		Must be set for the correct model number of the brewer: <b>61</b> for CBS-2061e, <b>62</b> for CBS-2062e
57	Reload Defaults	0 - 1	0	Changes all settings to default factory settings. 0 = Do not reload defaults 1 = Reload all default settings If 1 is selected, you must advance to the next address for this change to take effect. Does not change address 56 – model number.
58	Temperature Scale	F or C	F	F = Displays temp in degrees Fahrenheit C = Displays temp in degrees Celsius
59	Water Volume Scale	GAL or LTR	GAL	GAL = Displays volume in gallons LTR = Displays volume in liters
60 and 61	Flow Rate Left Brew Valve- <u>2062e</u> Left Brew Valve- <u>2061e</u> Right Brew Valve- <u>2062e</u> Right Brew Valve <u>2061e</u> (Flow rate expressed in gallons or liters per minutue)	0.09 – 1.49 <i>If #59 is GAL</i>  or  0.33 – 5.63 <i>If #59 is LTR</i>	Gal/ liter 1.04/3.94 1.10/4.16  1.04/3.94 1.10/4.16  3.94or4.16	Use this to compensate for minor discrepancies in actual volume versus programmed volume. Set lower to increase volume, higher to decrease volume. The following formula can be used to determine the correct setting:  $\frac{\text{ACTUAL VOLUME}}{\text{PROGRAMMED VOLUME}} \times \text{CURRENT SETTING} = \text{NEW SETTING}$
62 and 63	Flow Rate Left Bypass Valve- <u>2062e</u> Left Bypass Valve- <u>2061e</u> Right Brew Valve- <u>2062e</u> Right Brew Valve <u>2061e</u> (Flow rate expressed in gallons or liters per minutue)	0.28 – 0.48 <i>If #59 is GAL</i>  or  1.06 – 1.82 <i>If #59 is LTR</i>	Gal/ liter 0.37/1.4 0.39/1.48  0.37/1.4 0.39/1.48  1.4 or 1.48	

Programming Instructions continued from previous page


Address	Description	Range	Default	Comment
64	Keypad Test	0 - 1	0	<p>Tests function of control panel switches.                      0 - Skip keypad test                      1 - Keypad test active                      Starting at S1, the first button, press each button that is lit. The display will show the name of the switch being pressed. Brew switches are named S1, S2, S3, etc. The hot water switch must be pressed last, as this will exit the</p> <div style="display: flex; justify-content: space-around; align-items: center;"> <div style="text-align: center;">  <p>CBS-2062e Switch layout</p> </div> <div style="text-align: center;">  <p>CBS-2061e Switch layout</p> </div> </div> <p style="text-align: right;">test.</p>
65	Relay Test 	0 - 1	0	<p>0 - Skip relay test. Loop back to #50                      1 - Relay test active.                      Press <b>STOP</b> to continue</p>

Press  to save the settings and exit Diagnostic mode.  
 Press  again to exit Programming mode and return to Operating mode.

!!!NOTE-Before exit be sure that all components (valves, locks, etc...) are in the "OFF" position.

## Relay Test




Tests the individual relays which control various components.  
 Use either batch button to actuate the relays.



**Warning:** During these tests, hot water may be dispensed from the valve being tested.

To begin, you must first press the blinking Control Panel Power Switch.

Address	Description	Comment
90	Left or Single Brew Valve	
91	Right Brew Valve	
92	Left or Single Bypass Valve	
93	Right Bypass Valve	
94	Hot Water Faucet	
95	Fill Valve	
96	Heater	To protect the heaters, this test will work only if the tank is full.
97	Left or Single Brew Basket Lock	
98	Right Brew Basket Lock	

Press  to exit Relay Test.  
 Press  again to exit Diagnostic mode.  
 Press  again to exit Programming mode and return to Operating mode.

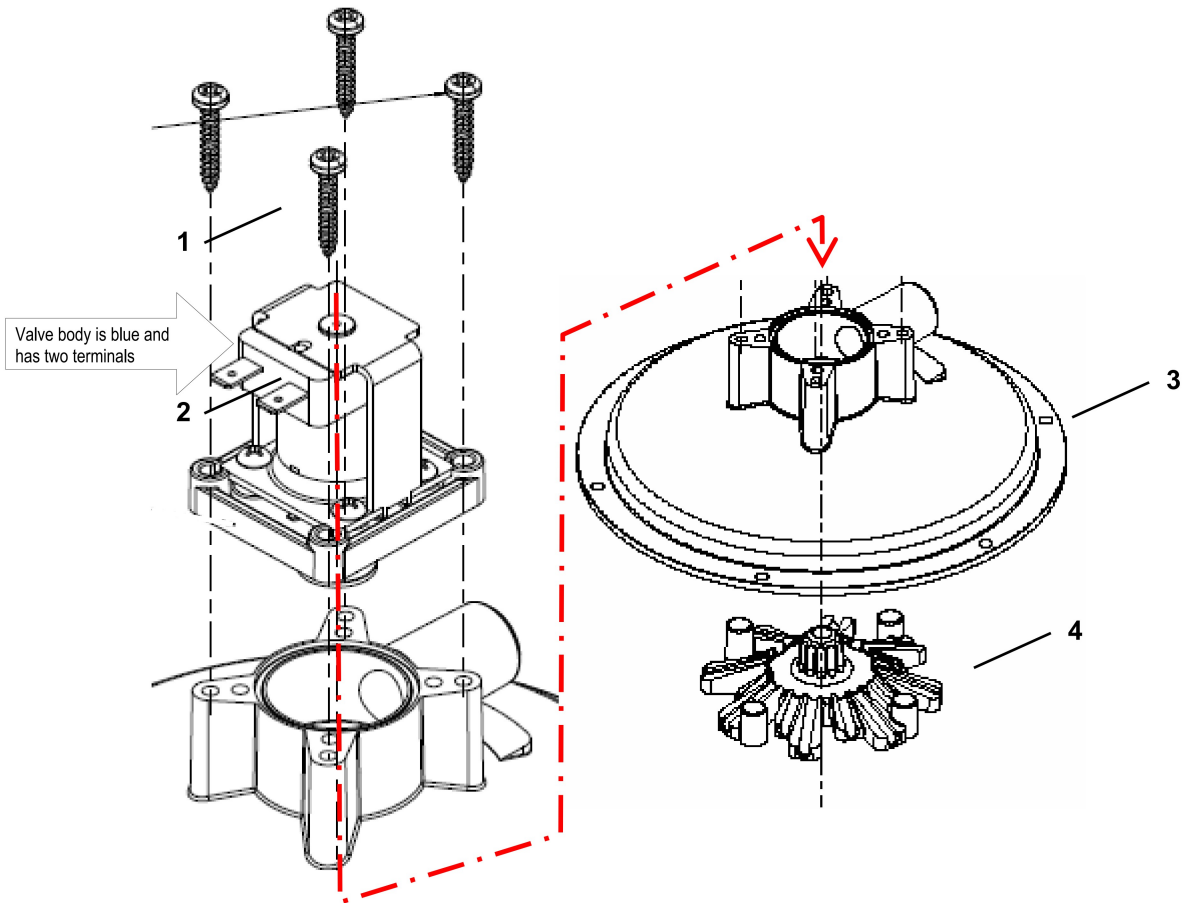
!!!NOTE-Before exit be sure that all components (valves, locks, etc...) are in the "OFF" position.

## Error Codes

Code	Description	Possible Cause	Corrective Action	How to Clear Error Codes
001	Internal Error System had to reload default settings.	Control board failure.	Clear error. Re-program the brewer to the desired specifications. If error occurs again, replace control board.	Turn main power switch off and on.
050	Shorted temperature probe.	Probe failure.	Replace probe.	Turn main power switch off and on.
051	Open temperature probe.	Bad probe connection, or probe failure.	Check all connections. Replace probe if necessary.	Turn main power switch off and on.
075	Brew basket lock or sensor failure. Basket was in place when brew cycle started, but was pulled out during the brew cycle. If this error occurs, the brew basket lock has failed.	Brew basket sensor or lock has failed.		Press the flashing control panel power switch to resume operation.
		Magnet in brew basket handle is missing or loose.	Remove brew basket handle. Place magnet in correct position.	
100	Initial Fill Error Initial fill time was more than 15 minutes.	Water supply flow rate is too low.	Watch for short potting during brew cycle. Investigate cause of low flow rate. (Clogged water filter, etc.)	Press the control panel power switch.
101	Error on refill Tank did not refill within 3 minutes.	Water supply flow rate is too low.	Watch for short potting during brew cycle. Investigate cause of low flow rate. (Clogged water filter, etc.)	Error message is cleared automatically at end of brew cycle.
102	Unwanted Fill When brewer is idle, the fill valve was activated for more than 30 seconds during a 1 hour period.	Possible leak in tank, fitting, or valve.	Check inside of machine for leaks.	Turn main power switch off and on.
		Output on control board has failed, causing a dispense valve to open.	Replace control board.	
200	Flat Line Temperature (Water is boiling) System is calling for heat, but the temperature does not rise at least 2°F within 10 minutes.	Triac is stuck closed, bad output on control board, or temperature is set too high for altitude.	Check triacs, check control board output, or adjust temperature for altitude.	Turn main power switch off and on.
201	Heater Open System is calling for heat, but the temperature does not rise at least 2°F within 10 minutes. This error is disabled during brewing and while using the hot water faucet.	Heating element failure.	Check and replace heating elements if necessary.	Turn main power switch off and on.
255	Keypad Error A switch was pressed for more than 45 seconds.	Switch was held in too long, or switch is stuck closed.	Clear error and try again. If error occurs without switch being pressed, replace input board.	Turn main power switch off and on.

All CBS-2061e and CBS2062e brewers  
 And all other CSD VERSIONS: USED AFTER APRIL, 2011

Spray Housing Assembly, 120 VAC, Part # 1102.00118.00  
 Spray Housing Assembly, 230 VAC, Part # 1102.00121.00 (EXPORT ONLY)  
 Spray Housing Assembly, 200 VAC, Part # 1102.00123.00 (JAPAN 200V ONLY)



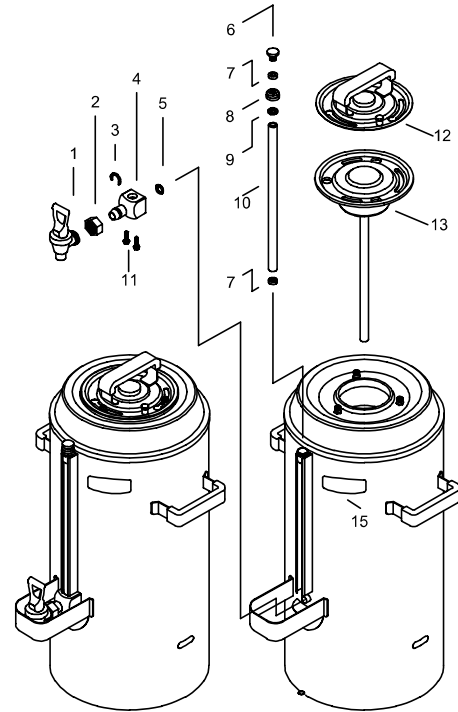
ITEM #	QTY	PART #	DESCRIPTION
1	4	1082.00056.00	#8 X 3/4" PAN HD. PHIL. T.S. 18-8 S.S. SCREW
2	1	1000.00054.00	BREW VALVE REPLACEMENT KIT, 120VAC (Part # 1102.00117.00)
2	1	1000.00055.00	BREW VALVE REPLACEMENT KIT, 230VAC (Part #1102.00120.00)
2	1	1000.00083.00	BREW VALVE REPLACEMENT KIT, 200VAC (Part # 1102.00122.00)
3	1	1102.00116.00	ASSEMBLY, CSD, SPRAY. HOUSING LARGE
4	1	1102.00043.00	ASSEMBLY, CASCADE SPRAY DOME

EXPORT  
 ONLY  
 JAPAN  
 200V ONLY

# Dispenser Parts

## LUXUS® TPD- 3.0

Reference Number	Part Number	Description
1	1071.00018.00	faucet, complete, black handle (ES)
1	1071.00020.00	faucet upper assy. w/black handle (handle, spring, seat cup and nut)
1	1071.00013.00	faucet seat cup
1	1071.00022.00	faucet handle- black
1	71027	faucet handle, decaf faucet (orange)
2	1012.00002.00	faucet union nut
3	1071.00012.00	faucet "c" ring
4	1102.00073.00	faucet shank assembly
5	1024.00027.00	faucet shank "o" ring 1/2" x 3/4"
6	1013.00035.00	vent top plug
7	1071.00014.00	sight gauge washer lower
8	1071.00023.00	sight gauge cap
9	1071.00016.00	sight gauge washer upper
6-9	102020	sight gauge cap and vent assy.
10	1021.00007.00	sight gauge tube 12-1/2" (plastic)
10	71033	sight gauge tube 12-1/2" (glass)
11	82045	faucet shank screw-2 required
12	1112.00052.00	twist lock cover assembly
13	1102.00052.00	brew funnel assembly
15	1041.00005.00	LUXUS label



## Cleaning & Maintenance

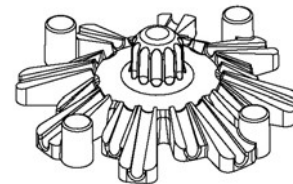
Daily: Wipe the area above the brew basket to remove coffee residue.

Daily or Weekly:

CSD Versions:

Clean the Cascading Spray Dome (CSD) with a soft brush and detergent. It may also be cleaned in a dishwasher – top rack only.

The CSD is held in place by four magnets. To remove it, grasp the bottom and pull down.



CSD

Quarterly:

- Check water temperature, adjust if necessary.
- Check brew levels, adjust if necessary.
- Inspect all fittings and hoses for leaks.
- Inspect inside of tank for lime deposits. De-lime tank and probes if necessary. This procedure should be done by a qualified service technician

# FETCO<sup>®</sup>

## CORPORATION

Before cleaning, be sure that all residual coffee in the dispenser has been emptied out. Next, fill the dispenser 1/4 to 1/2 full with hot water. If desired, an appropriate cleaning solution may also be used. Follow manufacturers recommendations for cleaning.

### Daily Cleaning:



First, remove the black funnel assembly. Then, using a cleaning brush, scrub out the liner thoroughly, loosening coffee oils into the water.



Empty out the dirty water, either through the faucet or simply by tipping the dispenser over and dumping out through the top opening.

**CAUTION: Never immerse the dispenser completely in water or run through any dishwasher.**

### Weekly Cleaning:



Remove sight gauge tube and clean with water and/or cleaning solution, using a small sight tube brush.



Unscrew the faucet and remove the rubber seat cup. Clean using the sight tube brush.

FETCO, LUXUS, Extractor, Millenia, Pulse-Brew are all trademarks or registered trademarks of FETCO.





# FETCO® CBS-2060e COFFEE BREWING SYSTEM

Complete Commercial Parts Listing  
For CBS-2061e and CBS-2062e Model Range

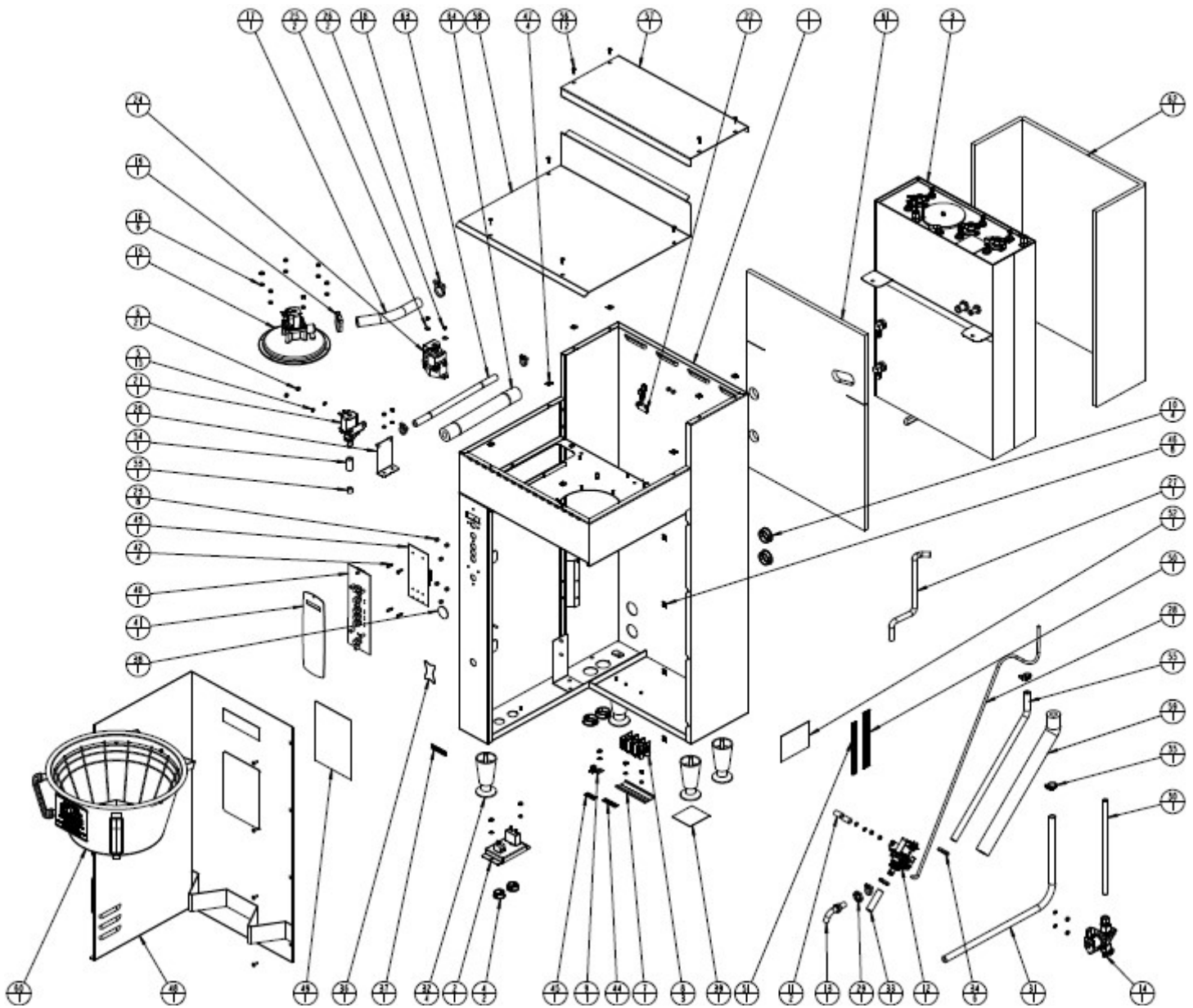
NEW May, 2011

Please see our website-[www.fetco.com](http://www.fetco.com) for the most up to date listings and additional parts and service information

# Parts

Figure 1 – CBS-2061e Main Assembly

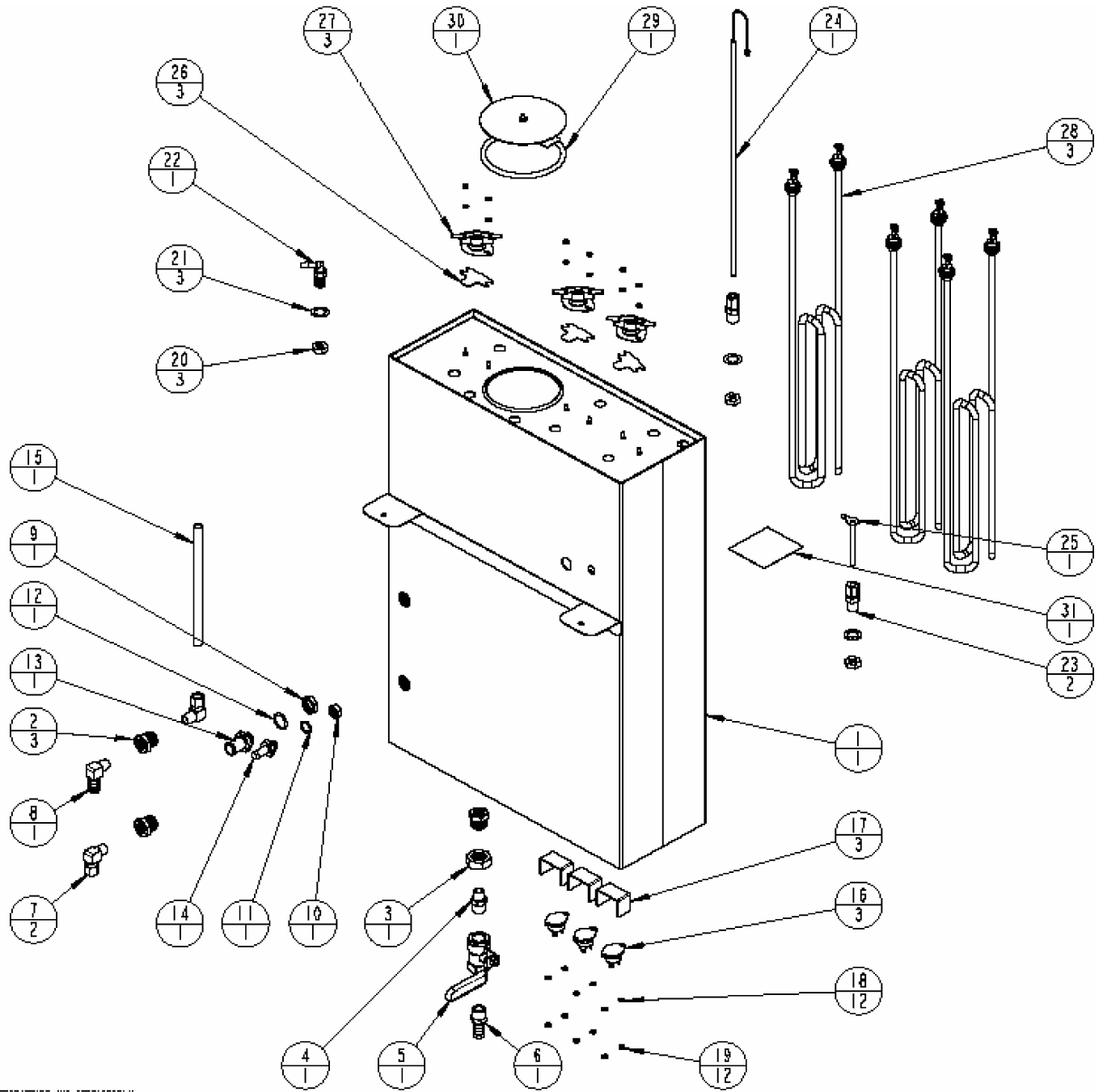
DWG 1109.00024.00



#	PART #	DESCRIPTION See drawing 1109.00024.00 - CBS-2061e Main AssemblyParts List
1	1111.00016.00	BODY WELDMENT, CBS-2061E
2	1102.00106.00	POWER BRACKET, ASSEMBLY, CBS-2000e
3	1104.00015.00	TANK ASSEMBLY, CBS-2061E, 3x3000W/240VAC
4	1086.00004.00	BUSHING, SNAP, 1" MOUNTING HOLE
5	1083.00011.00	WASHER, #8 SCREW SIZE, INTERNAL TOOTH LOCKWASHER
6	1084.00006.00	NUT, 8-32 18-8 HEX MACHINE SCREW
7	1052.00005.00	TRACK, TERMINAL BLOCK
8	1052.00004.00	TERMINAL BLOCK
9	1065.00004.00	CONNECTOR, COPPER LUG SLU-70
10	1086.00011.00	BUSHING, SNAP, 1.375 MTG HOLE
11	1029.00007.00	SPACER, #8 SCREW SIZE, 1/2" OD X 3/4" LG, ROUND UNTHREADED
12	1102.00108.00	VALVE, ASSEMBLY, HOT WATER, 120VAC
13	1112.00093.00	HOT WATER FAUCET, WELDMENT

14	1102.00157.00	VALVE ASSY, S-45/2.0 GPM, 120VAC
15	1102.00118.00	SPRAY HOUSING, LARGE, COMPLETE ASSEMBLY, 120VAC
16	1083.00010.00	WASHER, #8 SCREW SIZE W/NEOPRENE- BONDED SEAL
17	1025.00035.00	TUBE, 31/32"OD X 5/8"ID X 7 1/2"LG, BREW
18	1086.00018.00	CLAMP, HOSE, .875"-1.0" DIA RANGE
19	1086.00017.00	CLAMP, HOSE, 1.031"-1.187" DIA RANGE
20	1112.00111.00	BRACKET, BYPASS WELDMENT, CBS-2060
21	1057.00019.00	VALVE, BRACKET 6L, 120VAC 60HZ
22	1102.00113.00	SWITCH, REED, ASSEMBLY
23	1029.00006.00	NUT, #4-40 KNURLED THUMB
24	1102.00047.00	BREW BASKET LOCK, ASSEMBLY, 120VAC
25	1083.00016.00	WASHER, #8 SCREW SIZE, FLAT
26	1084.00015.00	LOCKNUT, #8-32 SCREW SIZE, HEX THIN NYLON INSERT
27	1025.00037.00	TUBE, 1/2"OD X 1/4"ID X 12" LG, VENT
28	1025.00033.00	TUBE, 1/4"OD X 1/8"ID X 25"LG, VENT, HOT WATER VAPOR TUBE
29	1013.00030.00	LOCKNUT, 7/16, DISPENSE FITTING
30	1013.00069.00	TUBE, .375"OD X 11"LG, COLD WATER, CBS-2060'S
31	1025.00038.00	TUBE, 5/8"OD X 3/8"ID X 20"LG, DRAIN/FILL
32	1073.00007.00	LEG, FLANGE FOOT, 4" HIGH
33	1025.00027.00	TUBE, 5/8"OD X 3/8"ID X 2.25"LG, HOT WATER VALVE
34	1086.00001.00	CLAMP, HOSE, .590"-.673" DIA RANGE
35	1086.00002.00	CLAMP, HOSE, SIZE "G" NYLON
36	1041.00004.00	LABEL, EXTRACTOR
37	1046.00019.00	LABEL, POWER SWITCH
38	1041.00002.00	LABEL , "CSD"
39	1044.00004.00	LABEL, DANGER, HIGH VOLTAGE
40	1108.00010.00	BOARD S3P, 6 KEYS, SOFTWARE CBS-2061E, ASSEMBLY BOARD S3P
41	1045.00012.00	OVERLAY, CBS-2061E
42	1084.00023.00	STANDOFF, MALE-FEMALE, ALUMINUM, THREADED HEX 4-40
43	1051.00011.00	BOARD, POWER SUPPLY, 120VAC
44	1044.00005.00	LABEL, CONNECTION WARNING FOR 3 PH
45	1044.00003.00	LABEL, GROUND
46	1084.00024.00	NUT, CLIP ON (J-NUT), #6-32, 18 -16 GA., BLACK-PHOSPHATE FINISH
47	1084.00011.00	NUT, CLIP ON (J-NUT), #6-32, 22 - 20 GA., BLACK-PHOSPHATE FINISH
48	1102.00152.00	COVER, ASSEMBLY, RIGHT, CBS-2060'S
49	1401.00026.00	WIRING DIAGRAM, CBS-2061e, 3 HEATERS, 120/208-240V
50	1402.00018.00	HARNESS, LOW AMP, CBS-2061e, 3 HEATERS
51	1402.00019.00	HARNESS, HIGH AMP, CBS-2061e, 3 HEATERS
52	1042.00008.00	LABEL, 4" X 3" SERIAL NUMBER, CBS-2061E
53	1025.00024.00	TUBE, 1/2"OD X 1/4"ID X 7/16"LG, BY-PASS
54	1025.00022.00	TUBE, 5/8"OD X 3/8"ID X 1.25"LG, BY-PASS
55	1025.00034.00	TUBE, 5/8"OD X 3/8"ID X 17"LG, HOT WATER VALVE, IN
56	1082.00017.00	SCREW, # 6-32 X 1/2" TRUSS HD PHIL., MACHINE
57	1001.00053.00	COVER TOP, CBS-2061E
58	1001.00054.00	COVER, UPPER BASE, CBS-2061E
59	1022.00035.00	INSULATION, HOT WATER TUBE, 16" LONG, CBS-2060'S
60	B00828004	BREW BASKET ASSEMBLY, CBS-60'S
61	1022.00039.00	INSULATION TANK FRONT, CBS-2061E
62	1022.00040.00	INSULATION, TANK, BACK, CBS-2061E
63	1025.00036.00	TUBE, 5/8"OD X 3/8"ID X 11.25"LG, BY-PASS
64	1022.00038.00	INSULATION, BY-PASS TUBE, 10" LONG, CBS-2060'S

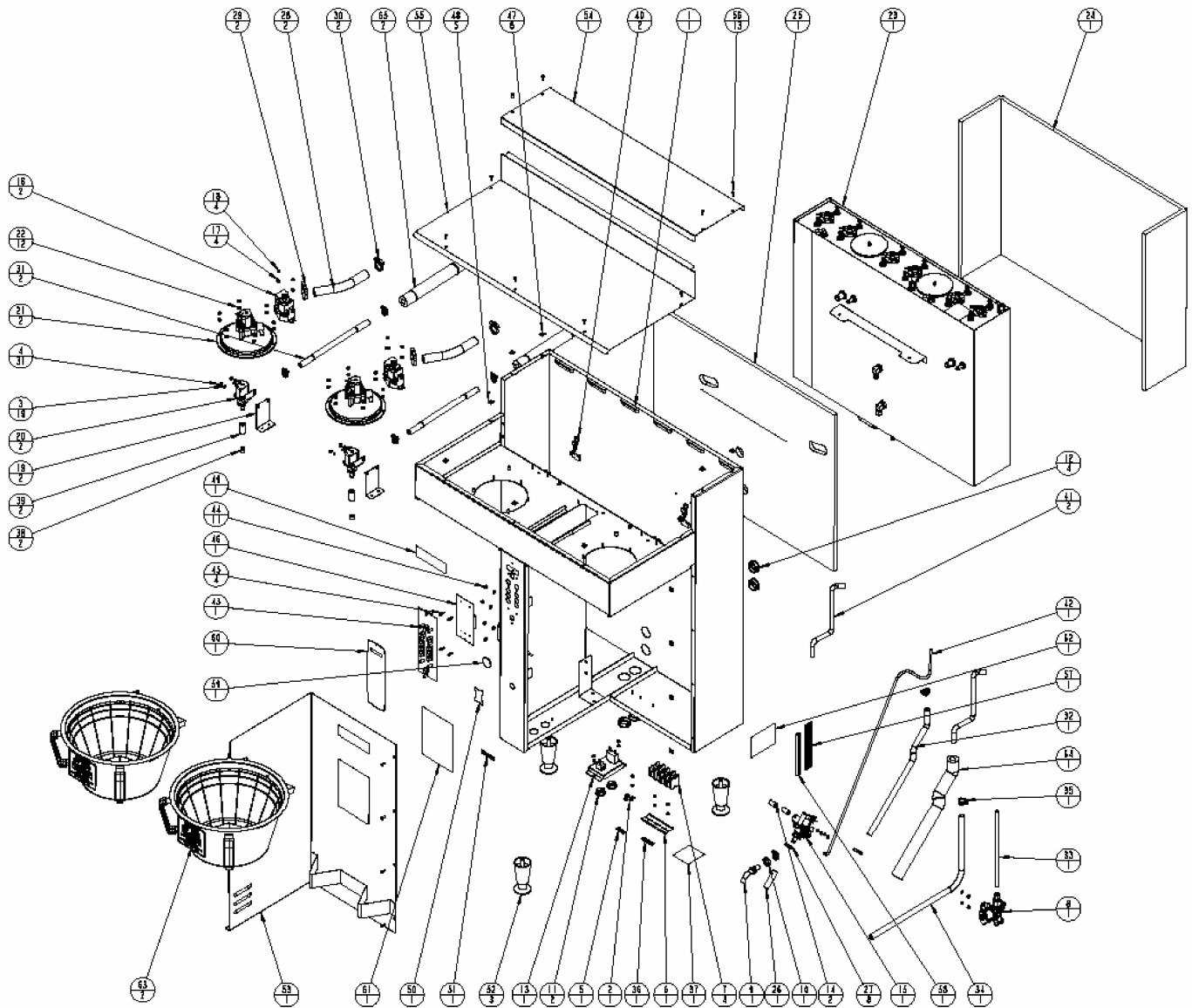
Figure 2 – CBS-2061e Tank Assembly



DWG 1104.00015.00

<b>#</b>	<b>PART #</b>	<b>DESCRIPTION</b> <i>See Figure 1104.00015.00 – CBS-2061e Tank Assembly</i>
1	1114.00027.00	TANK WELDMENT, CBS-2061E
2	1031.00029.00	BUSHING, 3/4-16 X 1/4 NPSM, HEX HEAD
3	1084.00022.00	NUT, 3/4-16 HEX JAM, 18-8SS
4	1031.00026.00	FITTING, HEX NIPPLE, 3/8 MPT X 1/4 MPT
5	1034.00002.00	VALVE, BALL 3/8 FPT X 3/8 FPT
6	1031.00025.00	FITTING, BARB, 1/2 HOSE ID X 3/8 MPT
7	1031.00030.00	FITTING, COMPR 90° M, 3/8 OD X 1/4 MPT
8	1031.00031.00	FITTING, ELBOW 90°, 3/8 HOSE X 1/4 MPT
9	1013.00066.00	NUT FOR 5/8 HOSE ID FITTING
10	1013.00011.00	NUT FOR 3/8 HOSE ID FITTING
11	1024.00014.00	O-RING, 1/2 X 11/16, 3/32 WIDTH
12	1024.00039.00	O-RING, 11/16 X 7/8, 3/32 WIDTH
13	1013.00065.00	FITTING 5/8" HOSE ID
14	1013.00010.00	FITTING 3/8" HOSE ID
15	1013.00045.00	TUBE, .375" OD, 7" LONG
16	1059.00001.00	TRIAC 40A, 600V
17	1003.00006.00	BRACKET, HEAT SINK
18	1083.00009.00	WASH, #6 SCREW, INTL TOOTH LOCKWASHER
19	1084.00010.00	NUT, HEX, #6-32, UNDERSIZED, ZINC PLATED
20	1023.00003.00	LOCKNUT 1/4"-18 NPT MODIFIED THREAD
21	1083.00006.00	WASHER, .875" OD X 0.562" ID FLAT
22	1025.00009.00	FITTING, 90 DEG. ELBOW, 1/4 NPT X 5/16 BARB, KYNAR
23	1025.00001.00	FITTING, COMPRESSION MALE CONNECTOR
24	1102.00145.00	TEMP. PROBE ASSEMBLY, 14" LG
25	1112.00019.00	PROBE WELDMENT, WATER LEVEL 2.600" LG
26	1003.00005.00	BRACKET, ONE SHOT THERMOSTAT
27	1053.00004.00	THERMOSTAT, SINGLE SHOT, 25 AMP
28	1107.00005.00	HEATER ASSEMBLY, IMMERSION 3000W/240VAC
29	1024.00007.00	O-RING, DASH #344, TANK COVER
30	1102.00007.00	TANK COVER ASSEMBLY
31	1044.00004.00	LABEL, DANGER, HIGH VOLTAGE

**Figure 3 – CBS-2062e Main Assembly**

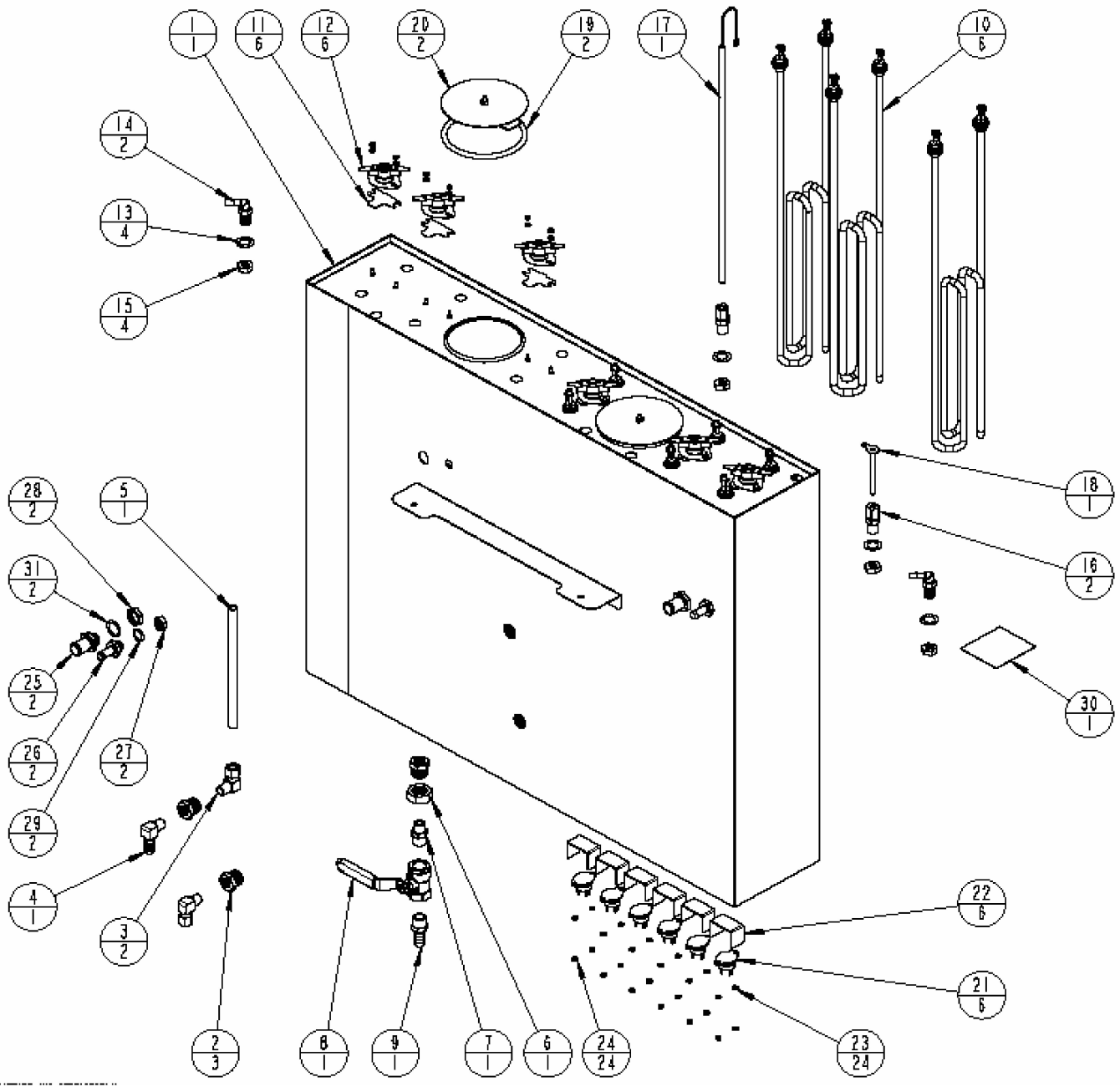


DWG 1109.00023.00

ITEM NO	PART NO	DESCRIPTION See drawing 1109.00023.00 - CBS-2062e Main AssemblyParts List
1	1111.00015.00	BODY WELDMENT, CBS-2062E
2	1065.00004.00	CONNECTOR, COPPER LUG SLU-70
3	1083.00011.00	WASHER, #8 SCREW SIZE, INTERNAL TOOTH LOCKWASHER
4	1084.00006.00	NUT, 8-32 18-8 HEX MACHINE SCREW
5	1044.00003.00	LABEL, GROUND
6	1052.00005.00	TRACK, TERMINAL BLOCK
7	1052.00004.00	TERMINAL BLOCK
8	1102.00157.00	VALVE ASSY, S-45/2.0 GPM, 120VAC
9	1112.00093.00	HOT WATER FAUCET, WELDMENT
10	1013.00030.00	LOCKNUT, 7/16, DISPENSE FITTING
11	1086.00004.00	BUSHING, SNAP, 1" MOUNTING HOLE
12	1086.00011.00	BUSHING, SNAP, 1.375 MTG HOLE
13	1102.00106.00	POWER BRACKET, ASSEMBLY, CBS-2000e

14	1029.00007.00	SPACER, #8 SCREW SIZE, 1/2" OD X 3/4" LG, ROUND UNTHREADED
15	1102.00108.00	VALVE, ASSEMBLY, HOT WATER, 120VAC
16	1102.00047.00	BREW BASKET LOCK, ASSEMBLY, 120VAC
17	1083.00016.00	WASHER, #8 SCREW SIZE, FLAT
18	1084.00015.00	LOCKNUT, #8-32 SCREW SIZE, HEX THIN NYLON INSERT
19	1112.00111.00	BRACKET, BYPASS WELDMENT, CBS-2060
20	1057.00019.00	VALVE, BRACKET 6L, 120VAC 60HZ
21	1102.00118.00	SPRAY HOUSING, LARGE, COMPLETE ASSEMBLY, 120VAC
22	1083.00010.00	WASHER, #8 SCREW SIZE W/NEOPRENE- BONDED SEAL
23	1104.00016.00	TANK ASSY, CBS-2062E, 6x3000W/240VAC
24	1022.00033.00	INSULATION, TANK, BACK, CBS-2062e
25	1022.00034.00	INSULATION TANK FRONT, CBS-2062E
26	1025.00027.00	TUBE, 5/8"OD X 3/8"ID X 2.25"LG, HOT WATER VALVE
27	1086.00001.00	CLAMP, HOSE, .590"-.673" DIA RANGE
28	1025.00035.00	TUBE, 31/32"OD X 5/8"ID X 7 1/2"LG, BREW
29	1086.00017.00	CLAMP, HOSE, 1.031"-1.187" DIA RANGE
30	1086.00018.00	CLAMP, HOSE, .875"-1.0" DIA RANGE
31	1025.00036.00	TUBE, 5/8"OD X 3/8"ID X 11.25"LG, BY-PASS
32	1025.00034.00	TUBE, 5/8"OD X 3/8"ID X 17"LG, HOT WATER VALVE, IN
33	1013.00069.00	TUBE, .375"OD X 11"LG, COLD WATER, CBS-2060'S
34	1025.00038.00	TUBE, 5/8"OD X 3/8"ID X 20"LG, DRAIN/FILL
35	1086.00002.00	CLAMP, HOSE, SIZE "G" NYLON
36	1044.00005.00	LABEL, CONNECTION WARNING FOR 3 PH
37	1044.00004.00	LABEL, DANGER, HIGH VOLTAGE
38	1025.00024.00	TUBE, 1/2"OD X 1/4"ID X 7/16"LG, BY-PASS
39	1025.00022.00	TUBE, 5/8"OD X 3/8"ID X 1.25"LG, BY-PASS
40	1102.00113.00	SWITCH, REED, ASSEMBLY
41	1025.00037.00	TUBE, 1/2"OD X 1/4"ID X 12" LG, VENT
42	1025.00033.00	TUBE, 1/4"OD X 1/8"ID X 25"LG, VENT, HOT WATER VAPOR TUBE
43	1108.00009.00	BOARD D3P, 10 KEYS, SOFTWARE CBS-2062E, ASSEMBLY
44	1029.00006.00	NUT, #4-40 KNURLED THUMB
45	1084.00023.00	STANDOFF, MALE-FEMALE, ALUMINUM, THREADED HEX 4-40
46	1051.00011.00	BOARD, POWER SUPPLY, 120VAC
47	1084.00024.00	NUT, CLIP ON (J-NUT), #6-32, 18 -16 GA., BLACK-PHOSPHATE FINISH
48	1084.00011.00	NUT, CLIP ON (J-NUT), #6-32, 22 - 20 GA., BLACK-PHOSPHATE FINISH
49	1046.00003.00	LABEL, CSD WARNING, 1.5" X 5.0"
50	1041.00004.00	LABEL, EXTRACTOR
51	1046.00019.00	LABEL, POWER SWITCH
52	1073.00007.00	LEG, FLANGE FOOT, 4" HIGH
53	1102.00152.00	COVER, ASSEMBLY, RIGHT, CBS-2060'S
54	1001.00059.00	COVER, TOP, CBS-2062E
55	1001.00060.00	COVER, UPPER BASE, 2062E
56	1082.00017.00	SCREW, # 6-32 X 1/2" TRUSS HD PHIL., MACHINE
57	1402.00016.00	HARNESS, LOW AMP, CBS-2062e,
58	1402.00017.00	HARNESS, HIGH AMP, CBS-2062e
59	1041.00002.00	LABEL , "CSD"
60	1045.00011.00	OVERLAY, CBS-2062e
61	1401.00024.00	WIRING DIAGRAM, CBS-2062e
62	1042.00007.00	LABEL, 4" X 3" SERIAL NUMBER, CBS-2062E
63	B00828004	BREW BASKET ASSEMBLY, CBS-60'S
64	1022.00035.00	INSULATION, HOT WATER TUBE, 16" LONG, CBS-2060'S
65	1022.00038.00	INSULATION, BY-PASS TUBE, 10" LONG, CBS-2060'S

Figure 4 – CBS-2062eTank Assembly



DWG 1104.00015.00



#	PART #	DESCRIPTION <i>See Figure 1104.00015.00 – CBS-2062e Tank Assembly</i>
1	1114.00032.00	TANK WELDMENT, CBS-2062E
2	1031.00029.00	BUSHING, 3/4-16 X 1/4 NPSM, HEX HEAD
3	1031.00030.00	FITTING, COMPR 90° M, 3/8 OD X 1/4 MPT
4	1031.00031.00	FITTING, ELBOW 90°, 3/8 HOSE X 1/4 MPT
5	1013.00045.00	TUBE, .375" OD, 7" LONG
6	1084.00022.00	NUT, 3/4-16 HEX JAM, 18-8SS
7	1031.00026.00	FITTING, HEX NIPPLE, 3/8 MPT X 1/4 MPT
8	1034.00002.00	VALVE, BALL 3/8 FPT X 3/8 FPT
9	1031.00025.00	FITTING, BARB, 1/2 HOSE ID X 3/8 MPT
10	1107.00005.00	HEATER ASSEMBLY, IMMERSION 3000W/240VAC
11	1003.00005.00	BRACKET, ONE SHOT THERMOSTAT
12	1053.00004.00	THERMOSTAT, SINGLE SHOT, 25 AMP
13	1083.00006.00	WASHER, .875" OD X 0.562" ID FLAT
14	1025.00009.00	FITTING, 90 DEG. ELBOW, 1/4 NPT X 5/16 BARB, KYNAR
15	1023.00003.00	LOCKNUT 1/4"-18 NPT MODIFIED THREAD
16	1025.00001.00	FITTING, COMPRESSION MALE CONNECTOR
17	1102.00145.00	TEMP. PROBE ASSEMBLY, 14" LG
18	1112.00019.00	PROBE WELDMENT, WATER LEVEL 2.600" LG
19	1024.00007.00	O-RING, DASH #344, TANK COVER
20	1102.00007.00	TANK COVER ASSEMBLY
21	1059.00001.00	TRIAC 40A, 600V
22	1003.00006.00	BRACKET, HEAT SINK
23	1083.00009.00	WASH, #6 SCREW, INTL TOOTH LOCKWASHER
24	1084.00010.00	NUT, HEX, #6-32, UNDERSIZED, ZINC PLATED
25	1013.00065.00	FITTING 5/8" HOSE ID
26	1013.00010.00	FITTING 3/8" HOSE ID
27	1013.00011.00	NUT FOR 3/8 HOSE ID FITTING
28	1013.00066.00	NUT FOR 5/8 HOSE ID FITTING
29	1024.00014.00	O-RING, 1/2 X 11/16, 3/32 WIDTH
30	1044.00004.00	LABEL, DANGER, HIGH VOLTAGE
31	1024.00039.00	O-RING, 11/16 X 7/8, 3/32 WIDTH

Parts for b00828004, CBS-2060e brewbasket			
ITEM#	QTY	PART NO	DESCRIPTION
1	1	1112.00116.00	WELDMENT, BREW BASKET, CBS-60'S
2	1	1046.00015.00	LABEL, CAUTION, BREW BASKET, CBS-60'S
3	1	1009.00004.00	BASKET, WIRE, 21"X7", CBS-60'S
4	1	1102.00154.00	HOUSING ASSEMBLY, BREW BASKET MAGNET, CBS-2060'S
5	1	1082.00072.00	SCREW, 10-16 x 1/2", 410 SS, PAN HD PH., THRD FORMING

